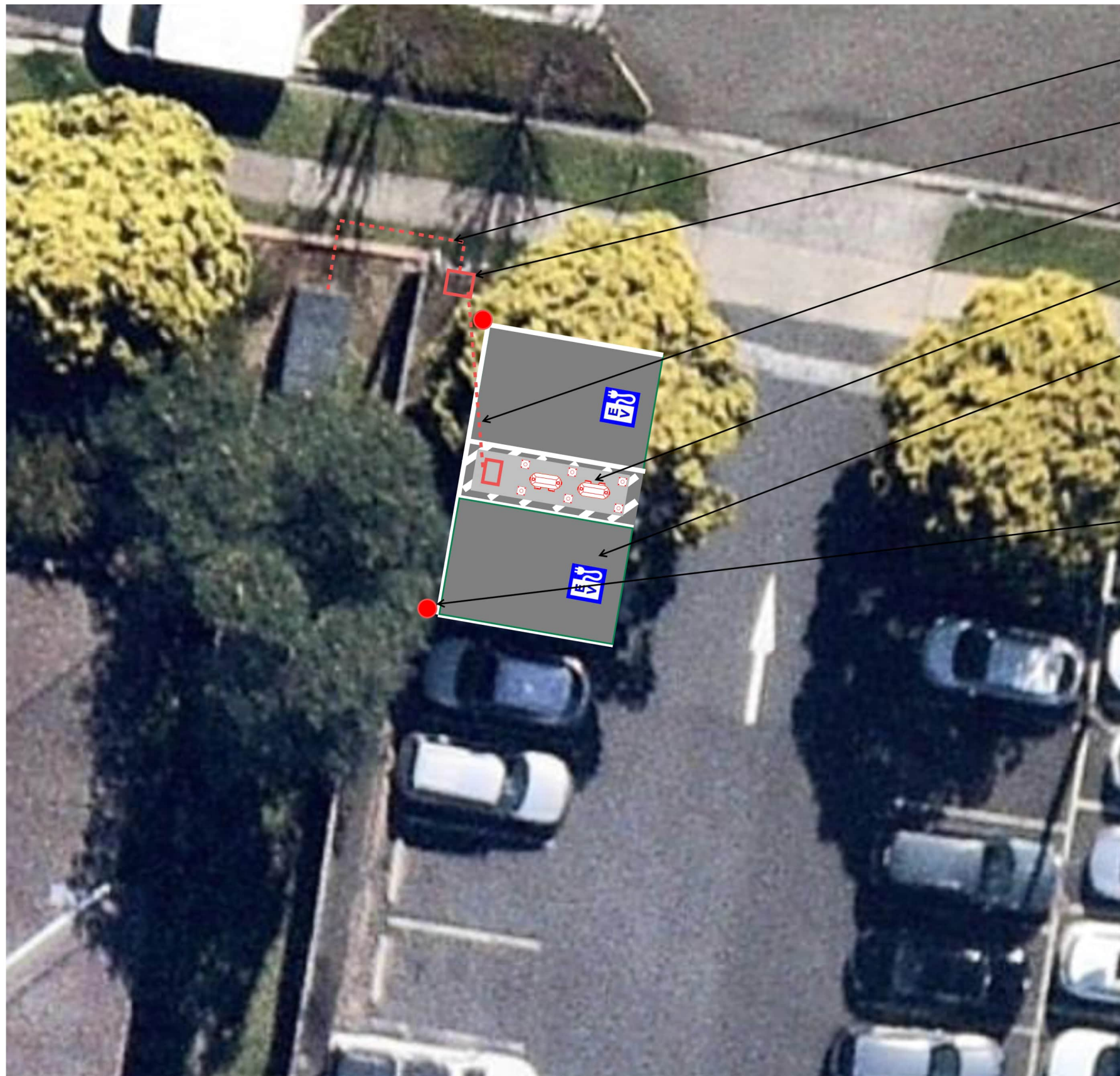


Notes
 Drawings are not for construction purposes.
 They have been produced based on information available at the time provided by Evie networks and other third parties.



EVIE Metro Project
 Site Code: MS081
 Site Name: Hornsby
 Site Address: Dural St, Hornsby NSW 2077

Drawing Title
 Site Overview
 Date: 20.03.2023
 Revision: 3



Proposed power route for pillar

Proposed new electrical pillar

Proposed power route - final location to be determined during construction to avoid underground assets

Proposed Evie electrical switchboard and meter

Proposed Evie Charge Location. 2 x Tritium RTM50 - 50kW Charger and 2 Vehicle Charging Bays. Bays to remain unpainted except for blue/white EV logo

Proposed parking sign (typ)



Note: 3 x 2P car parks will be converted to the charging station which will be for 2 electric vehicle only car parks.



Tritium RTM-50



Notes
Drawings are not for construction purposes. They have been produced based on information available at the time provided by Evie networks and other third parties.



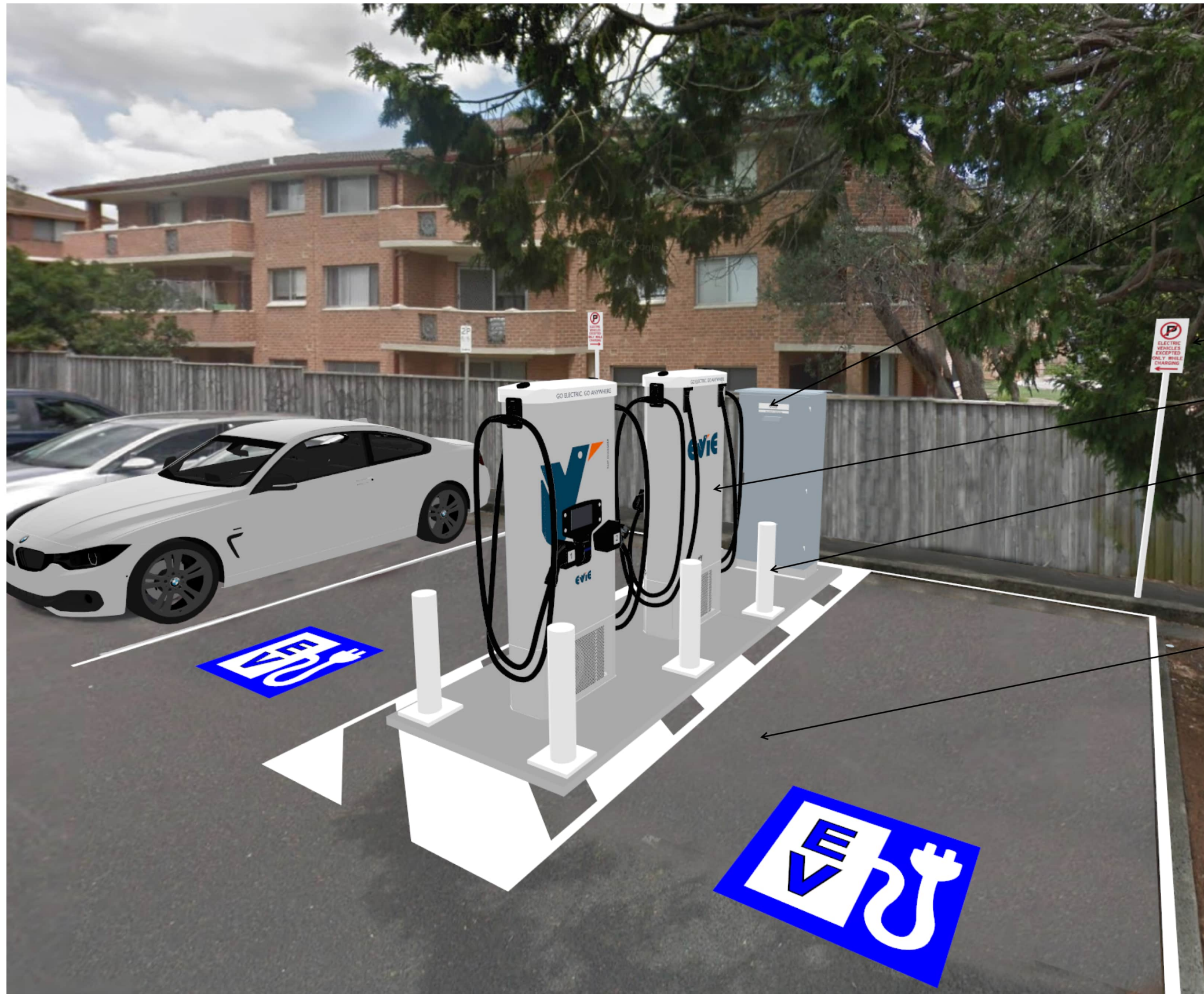
EVIE Metro Project

Site Code: MS081
Site Name: Hornsby
Site Address: Dural St, Hornsby NSW 2077

Drawing Title

Site Plan

Date: 20.03.2023
Revision: 3



Proposed Evie electrical switchboard and meter

Proposed New EV parking signs x 2

Proposed Evie charge head x 2 (Tritium RTM50)

Proposed new bollards x 6

Proposed Evie charging bays. Bays to remain unpainted except for blue/white EV logo

Notes
 Drawings are not for construction purposes. They have been produced based on information available at the time provided by Evie networks and other third parties.

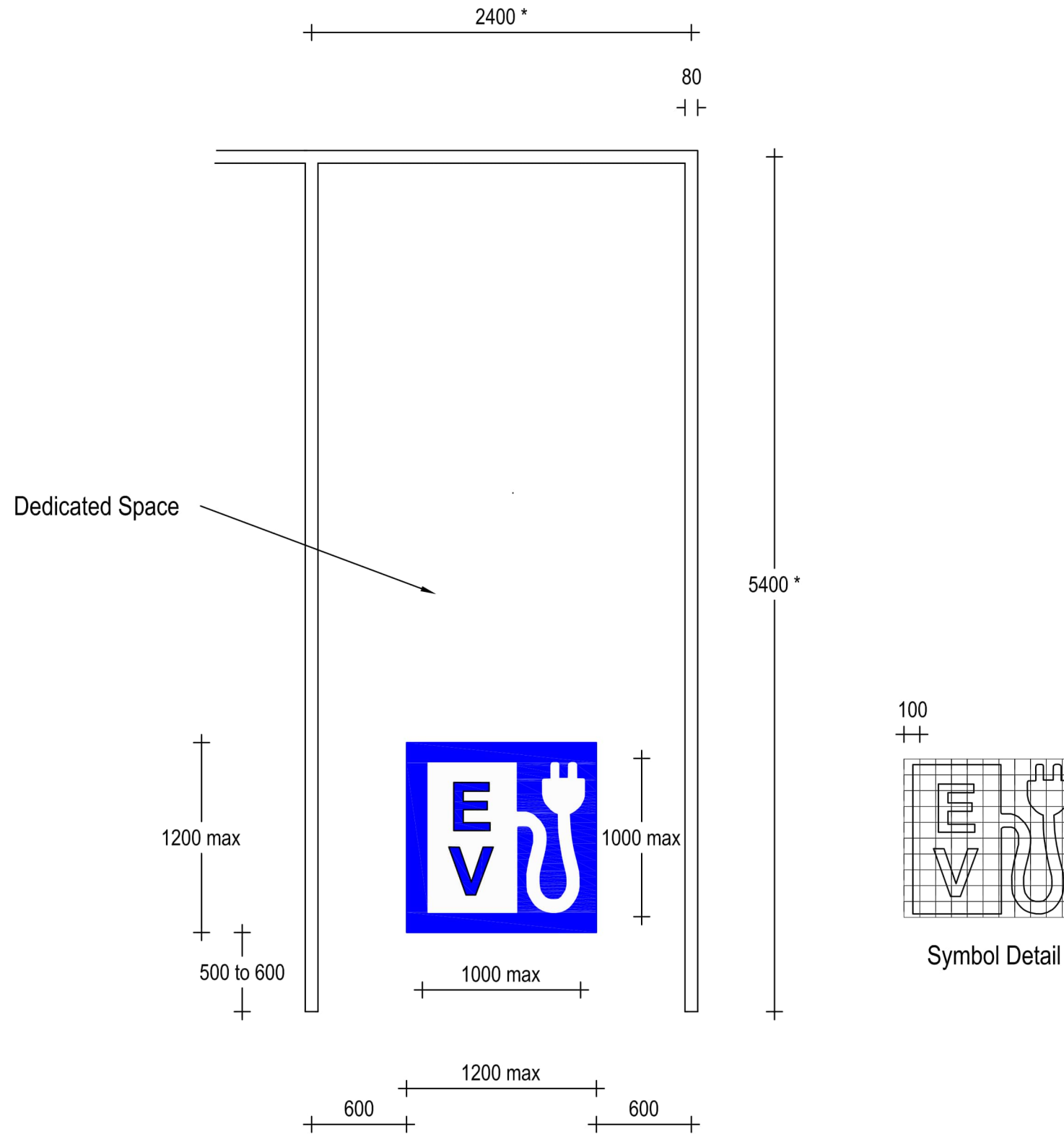


EVIE Metro Project

Site Code: MS081
 Site Name: Hornsby
 Site Address: Dural St, Hornsby NSW 2077

Drawing Title
 Site Montage

Date: 20.03.2023
 Revision: 3



Typical Electric Vehicle Parking Space Arrangement

* variable


ACCEPTED FOR CONSTRUCTION

QR CODE	Scan to Check Document Version	REV	DATE	AMENDMENT / REVISION DESCRIPTION	APPROVAL
		01	23-08-18	AS Fonts & material classification revised	P.Oliver

DRAWING FILE LOCATION / NAME: H:\SIGNS\ITTT\DRAWINGS\PLOT\DELINEATION\Pavement Electric Charging Station.DWG
MATERIALS: PAVEMENT MARKING WHITE SYMBOL ON BLUE LETTERS & BACKGROUND
SIGN TO BE MANUFACTURED IN ACCORDANCE WITH RMS QA SPECIFICATION 3400

DESIGNED
NAME: M.Davies
DATE: 24-03-21
REVIEWED
NAME: J.Rozos
DATE: 24-03-21

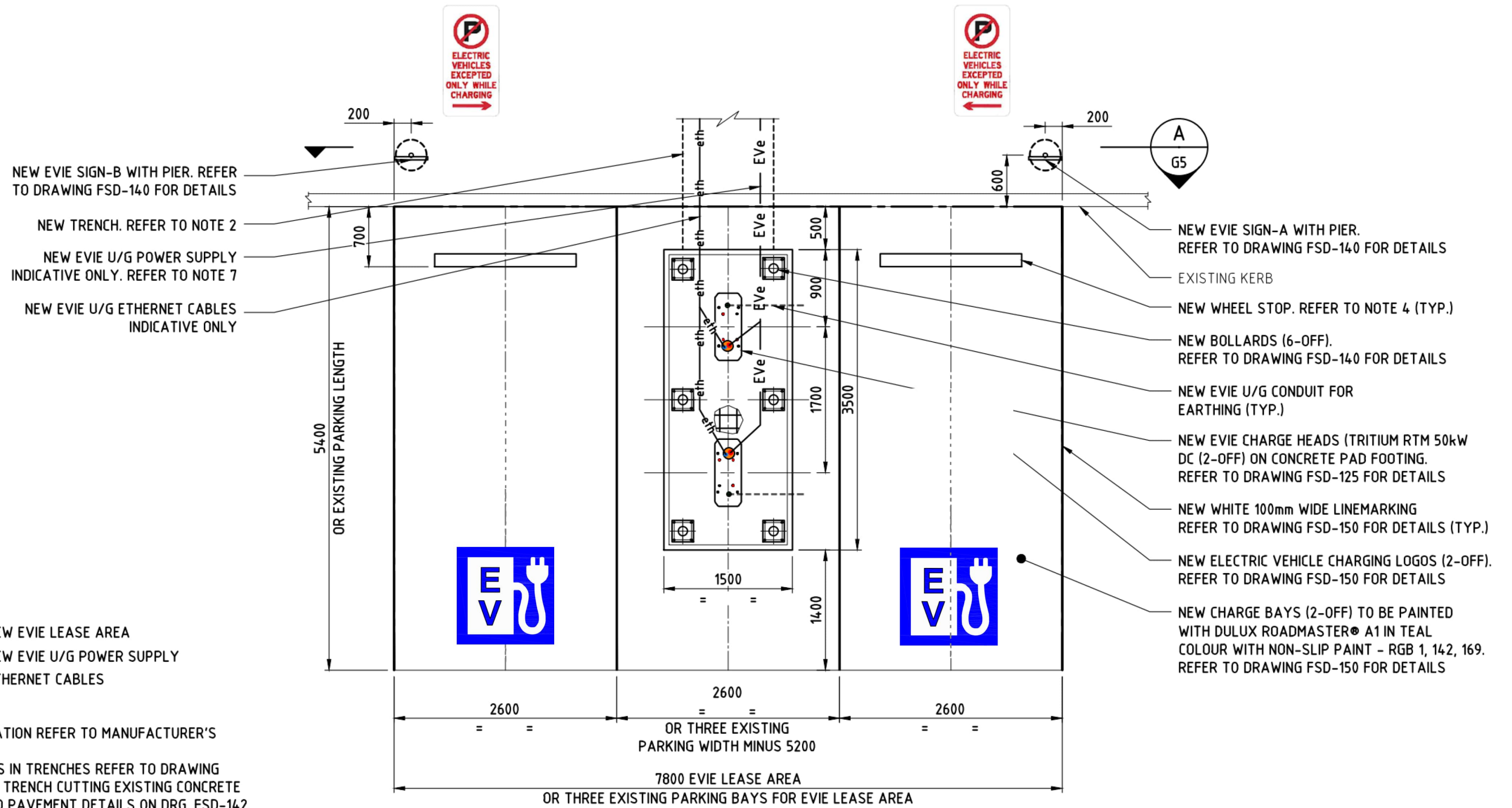
VERIFIED
NAME: P.Oliver
TITLE: Manager Guidance & Delineation
DATE: 24-03-21


**Transport
Roads & Maritime
Services**

PREPARED BY
 GUIDANCE AND DELINEATION UNIT
 ADVANCED TECHNICAL SERVICES
 INFRASTRUCTURE AND PLACE

PAVEMENT MARKING Electric Vehicle Parking Station Typical Arrangement	A3
SCALE: 1:35	EDMS No. XXXXXXXXXX
SHEET No. 1	ISSUE 01
SHEET 1 OF 1	

THIS DRAWING MAY BE PREPARED IN COLOUR AND MAY BE INCOMPLETE IF COPIED FROM A 50mm ON A3 SIZE ORIGINAL



ROAD MARKINGS AS PER DRAWING "Pavement Marking" by Transport Roads & Maritime Services

Notes
Drawings are not for construction purposes. They have been produced based on information available at the time provided by Evie networks and other third parties.



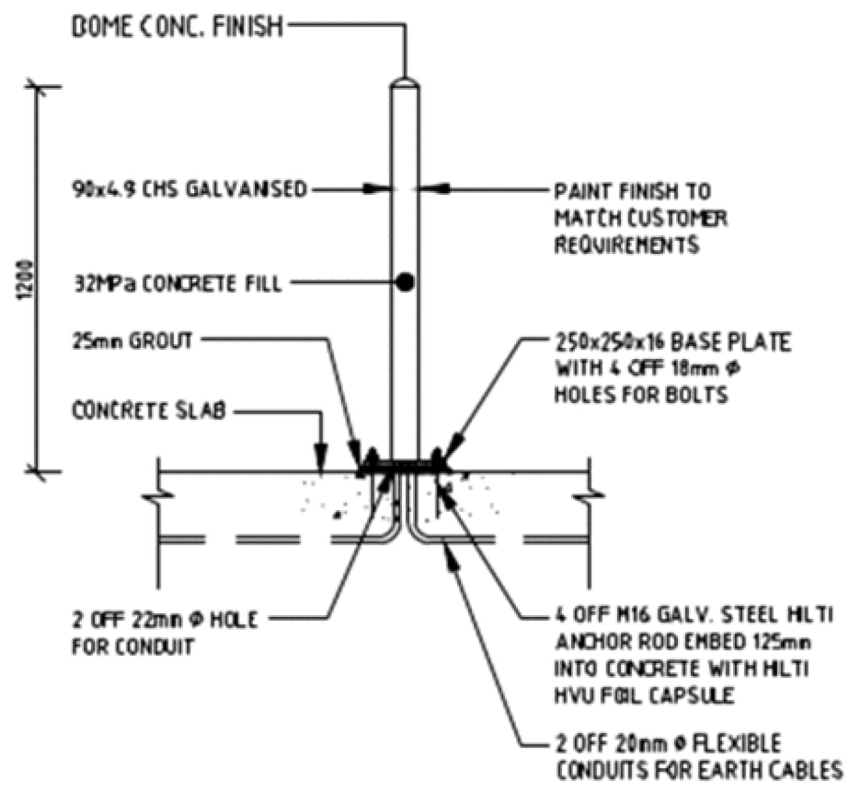
EVIE Metro Project

Site Code: MS081
Site Name: Hornsby
Site Address: Dural St, Hornsby NSW 2077

Drawing Title

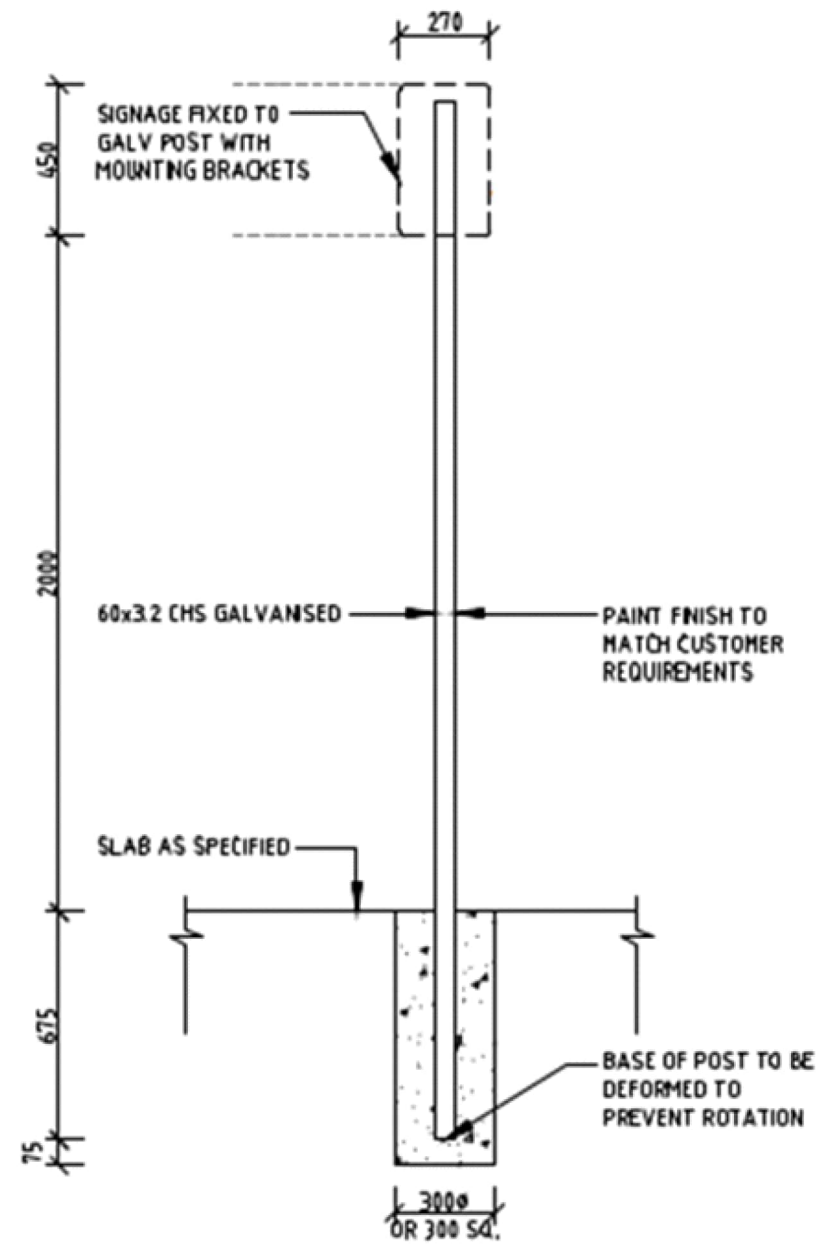
Equipment Layout

Date: 20.03.2023
Revision: 3



2 TYPICAL BOLLARD DETAIL FIXED TO GROUND

SCALE 1:25



3 TYPICAL SIGNAGE FIXING DETAIL

SCALE 1:25



SIGN 5 : ELECTRIC VEHICLE PARKING ONLY SIGN

R5-41-5R RD453

SIZES: 225 x 450

Notes

Drawings are not for construction purposes. They have been produced based on information available at the time provided by Evie networks and other third parties.



EVIE Metro Project

Site Code: MS081

Site Name: Hornsby

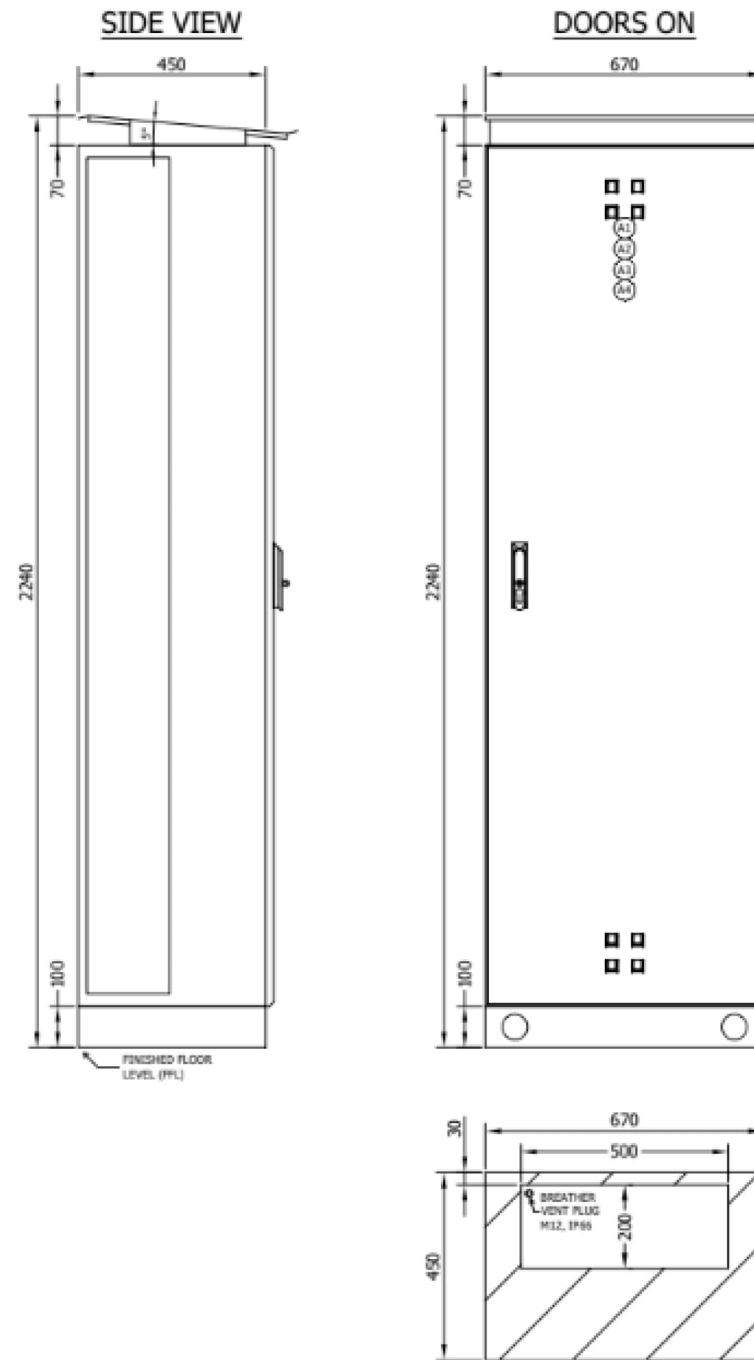
Site Address: Dural St, Hornsby NSW 2077

Drawing Title

Sign and Bollard Details

Date: 20.03.2023

Revision: 3



Notes
 Drawings are not for construction purposes.
 They have been produced based on information available at the time provided by Evie networks and other third parties.



EVIE Metro Project

Site Code: MS081
 Site Name: Hornsby
 Site Address: Dural St, Hornsby NSW 2077

Drawing Title

Switchboard Design

Date: 20.03.2023
 Revision: 3